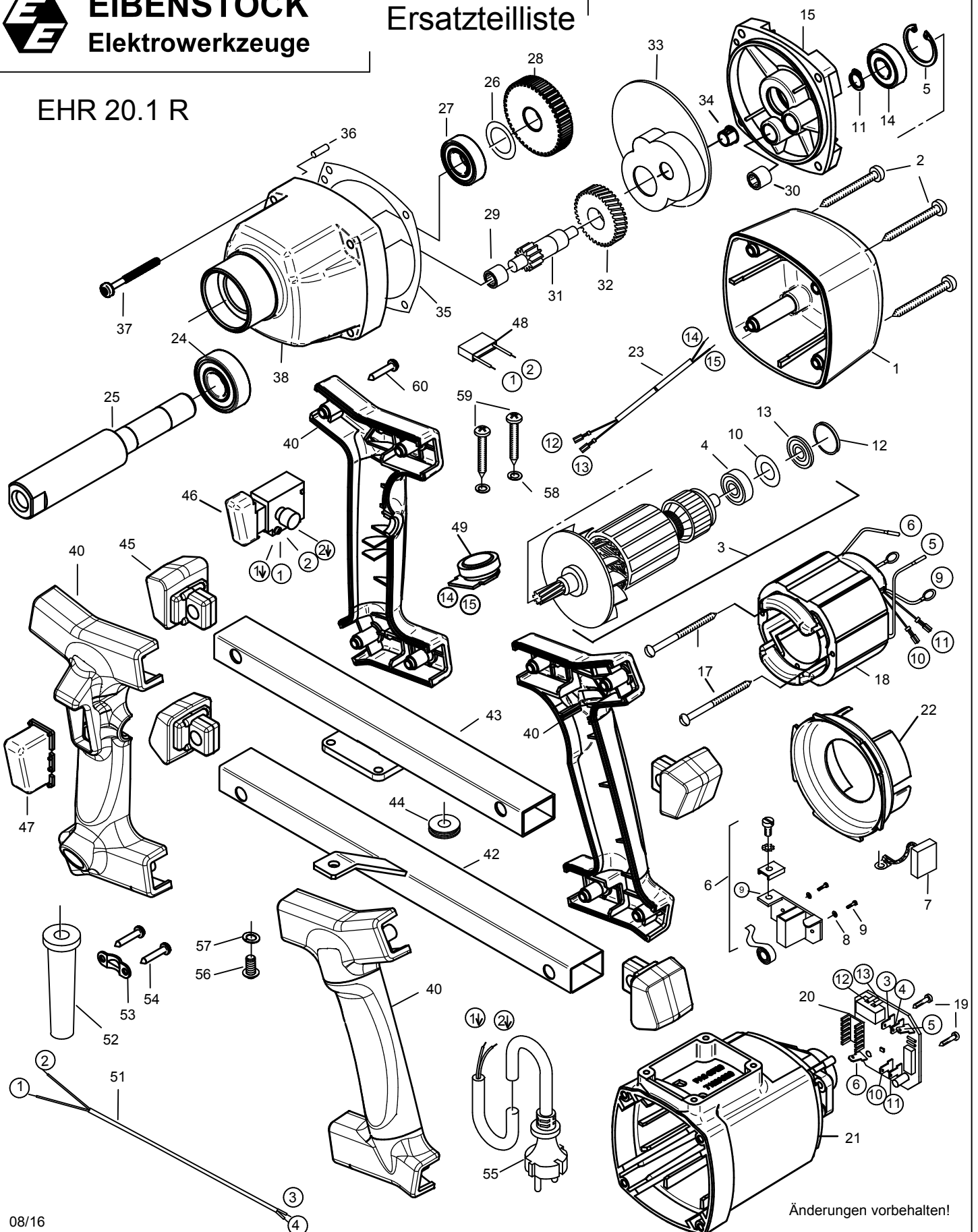




EIBENSTOCK
Elektrowerkzeuge

Ersatzteilliste

EHR 20.1 R



EHR 20.1 R - 230 V

0731G000

| Nr. | Bezeichnung | Bestellnr. | Stk | Nr. | Bezeichnung | Bestellnr. | Stk |
|-----|-----------------------------|------------|-----|-----|----------------------------|------------|-----|
| 1 | Kappe | 80900182 | 1 | 31 | Ritzelwelle | 7731C490 | 1 |
| 2 | Blechschaube HC 4,8x50 | 80201284 | 4 | 32 | Zwischenrad | 74010470 | 1 |
| 3 | Läufer, kpl. | 7731B100 | 1 | 33 | Fettkammerschott | 80900119 | 1 |
| 4 | Rillenkugellager 608 2Z | 80410011 | 1 | 34 | Lochstopfen | 80900201 | 1 |
| 5 | Sicherungsring 28/1,2 | 80201333 | 1 | 35 | Getriebedichtung | 82000507 | 1 |
| 6 | Taschenbürstenhalter, kpl. | 80201196 | 2 | 36 | Steckkerbstift 4x12 | 80200582 | 1 |
| 7 | Kohlebürste, kpl. 6,3x10x18 | 80700013 | 2 | 37 | PT-Schraube 50x50 | 80201449 | 4 |
| 8 | Federscheibe B4 gewellt | 80201385 | 4 | 38 | Getriebegehäuse, schwarz | 77724400 | 1 |
| 9 | Gewindefurchschraube CM4x12 | 80201180 | 4 | 39 | | | |
| 10 | Preßspanscheibe | 82000951 | 1 | 40 | Griffsatz R | 7774A26U | 1 |
| 11 | Sicherungsring 10/1 | 80201305 | 1 | 41 | | | |
| 12 | O-Ring 22x2,5 | 83000036 | 1 | 42 | Seitenteil 1 | 7732N591 | 1 |
| 13 | Magnetscheibe | 80701005 | 1 | 43 | Seitenteil 2 | 7732N592 | 1 |
| 14 | Rillenkugellager 6001 2Z | 80410031 | 1 | 44 | Durchführungstülle HV 1305 | 83000051 | 1 |
| 15 | Getriebelagerschild, grün | 7731K610 | 1 | 45 | Gummipuffer | 77420594 | 4 |
| 16 | | | | 46 | Einbauschalte | 80600507 | 1 |
| 17 | Blechschaube C3,9x60 | 80201266 | 2 | 47 | Schutzkappe | 77420365 | 1 |
| 18 | Polring, kpl. | 7731B150 | 1 | 48 | Entstörkondensator | 80500010 | 1 |
| 19 | Blechschaube HC2,9x13 | 80201252 | 2 | 49 | Potentiometer, kpl. | 7731G27U | 1 |
| 20 | Leiterplatte | 80601132 | 1 | 50 | | | |
| 21 | Motorgehäuse | 80900092 | 1 | 51 | Schalterlitze | 80600078 | 1 |
| 22 | Luftleitring | 80900286 | 1 | 52 | Kabelausführungsmuffe | 83000004 | 1 |
| 23 | Reglerlitze | 7731B187 | 1 | 53 | Zugentlastungsschelle | 85000020 | 1 |
| 24 | Rillenkugellager 6203 2RS | 80410130 | 1 | 54 | Blechschaube HC 4,2x13 | 80201270 | 2 |
| 25 | Arbeitsspindel | 7731S420 | 1 | 55 | Anschlußleitung | 80600470 | 1 |
| 26 | Paßscheibe 17/24x0,2 | 80200507 | 1 | 56 | Linsenschraube M6x12 | 80201209 | 1 |
| 27 | Rillenkugellager 6003 2RS | 80410043 | 1 | 57 | Federring 6 | 80201303 | 1 |
| 28 | Spindelrad | 7731C430 | 1 | 58 | Federring 5 | 80201302 | 4 |
| 29 | Nadelhülse HK 1010 | 80420115 | 1 | 59 | Plastschraube Torx 5x20 | 80201277 | 4 |
| 30 | Nadelhülse HK 0810 | 80420110 | 1 | 60 | PT-Schraube 50x30 | 80201411 | 8 |

EHR 20.1 R - 110 V UK

0731M000

| | | | | | | | |
|----|---------------|----------|---|----|--|----------|---|
| 3 | Läufer, kpl. | 7731E100 | 1 | 20 | Leiterplatte | 80601143 | 1 |
| 18 | Polring, kpl. | 7731E150 | 1 | 55 | Anschlußleitung 2x1 ² , 4h-St., 16A | 77319262 | 1 |

EHR 20.1 R - 120 V USA

0731V, 077A7

| | | | | | | | |
|----|---------------|----------|---|----|------------------------------|----------|---|
| 3 | Läufer, kpl. | 7731E100 | 1 | 20 | Leiterplatte | 80601143 | 1 |
| 18 | Polring, kpl. | 7731E150 | 1 | 55 | Anschlußleitung 2/14 AWG, 5m | 80600281 | 1 |

EHR 20.1 R - 230 V

0731G000

| No. | Description | Order No. | Pcs | No. | Description | Order No. | Pcs |
|-----|-------------------------------|-----------|-----|-----|------------------------------|-----------|-----|
| 1 | cap | 80900182 | 1 | 31 | pinion shaft | 7731C490 | 1 |
| 2 | self tapping screw HC 4,8x50 | 80201284 | 4 | 32 | intermediate wheel | 74010470 | 1 |
| 3 | rotor complete | 7731B100 | 1 | 33 | grease compartment barrier | 80900119 | 1 |
| 4 | grooved ball bearing 608 2Z | 80410011 | 1 | 34 | plug | 80900201 | 1 |
| 5 | locking ring 28/1,2 | 80201333 | 1 | 35 | gearbox seal | 82000507 | 1 |
| 6 | brush holder | 80201196 | 2 | 36 | notched pin plug 4x12 | 80200582 | 1 |
| 7 | carbon brush 6,3x10x18 | 80700013 | 2 | 37 | pt-screw 50x50 | 80201449 | 4 |
| 8 | lock washer B4 | 80201385 | 4 | 38 | gearbox housing black | 77724400 | 1 |
| 9 | self tapping screw CM4x12 | 80201180 | 4 | 39 | | | |
| 10 | presspan washer | 82000951 | 1 | 40 | handle R | 7774A26U | 1 |
| 11 | locking ring 10/1 | 80201305 | 1 | 41 | | | |
| 12 | o-ring 22x2,5 | 83000036 | 1 | 42 | side plate 1 | 7732N591 | 1 |
| 13 | magnetic disc | 80701005 | 1 | 43 | side plate 2 | 7732N592 | 1 |
| 14 | grooved ball bearing 6001 2Z | 80410031 | 1 | 44 | cable grommet HV 1305 | 83000051 | 1 |
| 15 | end shield of gearing green | 7731K610 | 1 | 45 | rubber cup | 77420594 | 4 |
| 16 | | | | 46 | switch | 80600507 | 1 |
| 17 | self tapping screw HC 3,9x60 | 80201266 | 2 | 47 | cap guard | 77420365 | 1 |
| 18 | stator complete | 7731B150 | 1 | 48 | anti parasite condenser | 80500010 | 1 |
| 19 | self tapping screw HC 2,9x13 | 80201252 | 2 | 49 | potentiometer complete | 7731G27U | 1 |
| 20 | PCB / circuit board | 80601132 | 1 | 50 | | | |
| 21 | motor housing | 80900092 | 1 | 51 | interconnecting wire | 80600078 | 1 |
| 22 | air guiding ring | 80900286 | 1 | 52 | cable grommet | 83000004 | 1 |
| 23 | control wire | 7731B187 | 1 | 53 | wire locking flange | 85000020 | 1 |
| 24 | grooved ball bearing 6203 2RS | 80410130 | 1 | 54 | self tapping screw HC 4,2x13 | 80201270 | 2 |
| 25 | work spindle | 7731S420 | 1 | 55 | connecting cable | 80600470 | 1 |
| 26 | fitting washer 17/24x0,2 | 80200507 | 1 | 56 | lens head screw HM 6x12 | 80201209 | 1 |
| 27 | grooved ball bearing 6003 2RS | 80410043 | 1 | 57 | lock washer A6 | 80201303 | 1 |
| 28 | spindle wheel | 7731C430 | 1 | 58 | lock washer 5 | 80201302 | 4 |
| 29 | needle sleeve HK 1010 | 80420115 | 1 | 59 | plastic screw Torx 5x20 | 80201277 | 4 |
| 30 | needle sleeve HK 0810 | 80420110 | 1 | 60 | pt-screw 50x30 | 80201411 | 8 |

EHR 20.1 R - 110 V UK

0731M000

| | | | | | | | |
|----|-----------------|----------|---|----|-----------------------------------|----------|---|
| 3 | rotor complete | 7731E100 | 1 | 20 | PCB / circuit board | 80601143 | 1 |
| 18 | stator complete | 7731E150 | 1 | 55 | connecting cable 2x1 ² | 77319262 | 1 |

EHR 20.1 R - 120 V USA

0731V, 077A7

| | | | | | | | |
|----|-----------------|----------|---|----|---------------------------|----------|---|
| 3 | rotor complete | 7731E100 | 1 | 20 | PCB / circuit board | 80601143 | 1 |
| 18 | stator complete | 7731E150 | 1 | 55 | connecting cable 5m, pol. | 80600281 | 1 |